



# Intra-Sewi KNX T

# Intra-Sewi KNX TH

## Ambient Climate Sensors

---

Item numbers

Intra-Sewi KNX T 70659 (white), 70665 (black)

Intra-Sewi KNX TH 70669 (white), 70666 (black)





<b>1. Description .....</b>	<b>3</b>
1.0.1. Scope of delivery .....	3
1.1. Technical data .....	4
1.1.1. Measuring accuracy .....	4
<b>2. Safety and use instructions .....</b>	<b>5</b>
<b>3. Installation .....</b>	<b>5</b>
3.1. Installation location and preparation .....	5
3.2. Connection .....	6
3.2.1. Assembly .....	6
<b>4. Commissioning .....</b>	<b>8</b>
4.1. Addressing the equipment .....	8
<b>5. Maintenance .....</b>	<b>9</b>
<b>6. Disposal .....</b>	<b>9</b>
<b>7. Transfer protocol .....</b>	<b>10</b>
7.1. List of all communication objects .....	10
<b>8. Parameter setting .....</b>	<b>18</b>
8.1. Behaviour on power failure/ restoration of power .....	18
8.2. General settings .....	19
8.3. Temperature Measurement .....	19
8.4. Temperature threshold values .....	20
8.4.1. Threshold value 1, 2, 3, 4 .....	20
8.5. Temperature PI control .....	22
8.5.1. Heating control level 1/2 .....	28
8.5.2. Cooling control level 1/2 .....	30
8.6. Humidity Measurement .....	32
8.7. Humidity threshold values .....	33
8.7.1. Threshold value 1, 2, 3, 4 .....	33
8.8. Humidity PI control .....	35
8.9. Dewpoint measurement .....	38
8.9.1. Cooling medium temp. monitoring .....	38
8.10. Absolute humidity .....	40
8.11. Comfort field .....	41
8.12. Variable comparator .....	42
8.12.1. Control variable comparator 1/2 .....	42
8.13. Logic .....	43
8.13.1. AND logic 1-4 and OR logic outputs 1-4 .....	43
8.14. AND logic connection inputs .....	45
8.14.1. Connection inputs of the OR logic .....	47

This manual is amended periodically and will be brought into line with new software releases. The change status (software version and date) can be found in the contents footer. If you have a device with a later software version, please check **www.elsner-elektronik.de** in the menu area "Service" to find out whether a more up-to-date version of the manual is available.

## Clarification of signs used in this manual



Safety advice.



Safety advice for working on electrical connections, components, etc.

### **DANGER!**

... indicates an immediately hazardous situation which will lead to death or severe injuries if it is not avoided.

### **WARNING!**

... indicates a potentially hazardous situation which may lead to death or severe injuries if it is not avoided.

### **CAUTION!**

... indicates a potentially hazardous situation which may lead to trivial or minor injuries if it is not avoided.



**ATTENTION!** ... indicates a situation which may lead to damage to property if it is not avoided.

### ETS

In the ETS tables, the parameter default settings are marked by underlining.

# 1. Description

---

The **Sensors Intra-Sewi KNX T and Intra-Sewi KNX TH** for the KNX building bus system measure the ambient temperature. **Intra-Sewi KNX TH** additionally captures the air humidity and calculates the dew-point. Via the bus, the indoor sensors can receive external values of temperature or humidity and process them further with their own data to a total value (mixed value, e.g. room average).

All measurement values can be used for the control of limit-dependent switching outputs. States can be linked via AND logic gates and OR logic gates. In addition, an integrated actuating variable comparator can compare and output variables that were received via communication objects.

An integrated PI-controller controls a heating/cooling (according to temperature). **Intra-Sewi KNX TH** offers a second controller for ventilation (humidification/dehumidification according to humidity) and a warning can be output to the bus as soon as the comfort field, as per DIN 1946, is left.

- Measuring the **temperature**, with **mixed value calculation**. The share of internal measurement value and external value can be set as a percentage
- **Threshold values** can be adjusted per parameter or via communication objects
- **PI-controller for heating** (one or two-stage) and **cooling** (one or two-stage) according to temperature. Regulation according to separate setpoints or basic setpoint temperature
- **4 AND and 4 OR logic gates**, each with 4 inputs. All switching events as well as 16 logic inputs (in the form of communications objects) can be used as inputs for the logic gates. The output of each gate can be configured optionally as 1-bit or 2 x 8-bit
- **2 actuation variable comparators** to output minimum, maximum or average values. 5 inputs each for values received via communication objects

## ***Intra-Sewi KNX TH additionally:***

- Measuring the **air humidity** (relative, absolute), with **mixed value calculation**. The share of internal measurement value and external value can be set as a percentage
- Bus message, whether the values for temperature and air humidity are within the **comfort field** (DIN 1946)
- **Dew point** calculation
- **PI controller for humidity** according to humidity: Ventilate/Air (one-stage) or Ventilate (one or two-stage)

Configuration is made using the KNX software ETS. The **product file** can be downloaded from the Elsner Elektronik website on **www.elsner-elektronik.de** in the "Service" menu.

## 1.0.1. Scope of delivery

---

- Sensor
- Pre-assembled clamps for false ceiling installation

- Support ring for connector socket installation
- For socket installation you will need *in addition* (not supplied):
- Socket Ø 60 mm, 42 mm deep

## 1.1. Technical data

<b>General:</b>	
Housing	Plastic, glass
Colour	<ul style="list-style-type: none"> <li>• similar to pure white RAL 9010</li> <li>• similar to jet black RAL 9005</li> </ul>
Assembly	built-in, in false ceiling or connector socket
Dimensions Ø x height above wall	approx. 80 mm x approx. 5 mm height in wall (installation) approx. 31 mm (incl. clamps)
Degree of protection	IP 30
Weight	approx. 50 g
Ambient temperature	-20...+60°C
Ambient humidity	5...95% RH, non-condensing
Storage temperature	-30...+70°C
<b>KNX bus:</b>	
KNX medium	TP1-256
Configuration mode	S-Mode
Group addresses	max. 254
Assignments	max. 254
Communication objects	Intra-Sewi KNX TH: 183 Intra-Sewi KNX T: 129
Nominal voltage KNX	30 V $\overline{\text{---}}$ SELV
Power consumption KNX	max. 10 mA
Connection	KNX plug terminals
Duration after bus voltage restoration until data is received	approx. 5 seconds
<b>Sensors:</b>	
Measurement range	-20°C ... +60°C
Humidity sensor (only Intra-Sewi KNX TH):	
Measurement range	0% rH ... 100% rH

The product is compliant with the provisions of the EU guidelines.

### 1.1.1. Measuring accuracy

Deviations in measured values due to interfering sources (see chapter *installation location*) must be corrected in the ETS in order to achieve the specified accuracy of the sensor (offset).

During the **Temperature measurement**, the self-heating of the device is taken into consideration by the electronics. It is compensated by the software, therefore the displayed/output indoor temperature measuring value is correct.

## 2. Safety and use instructions

---

---



Installation, testing, operational start-up and troubleshooting should only be performed by an authorised electrician.

---



### **CAUTION!** **Live voltage!**

There are unprotected live components inside the device.

- Inspect the device for damage before installation. Only put undamaged devices into operation.
  - Comply with the locally applicable directives, regulations and provisions for electrical installation.
  - Immediately take the device or system out of service and secure it against unintentional switch-on if risk-free operation is no longer guaranteed.
- 

Use the device exclusively for building automation and observe the operating instructions. Improper use, modifications to the device or failure to observe the operating instructions will invalidate any warranty or guarantee claims.

Operate the device only as a fixed-site installation, i.e. only in assembled condition and after conclusion of all installation and operational start-up tasks, and only in the surroundings designated for it.

Elsner Elektronik is not liable for any changes in norms and standards which may occur after publication of these operating instructions.

## 3. Installation

---

---

### 3.1. Installation location and preparation

---



**Install and use only in dry interior rooms!** Avoid condensation.

---

The **Sensors Intra-Sewi KNX T and Intra-Sewi KNX TH** are installed in a false ceiling or on wall or ceiling in a standard connection socket (Ø 60 mm, 42 mm deep).

When selecting an installation location, please ensure that the measurement results of **temperature or humidity** are affected as little as possible by external influences. Possible sources of interference include:

- Direct sunlight
- Drafts from windows and doors
- Draughts from ducts coming from other rooms or the outdoors

- Warming or cooling of the building structure on which the sensor is mounted, e.g. due to sunlight, heating or cold water pipes
- Connection lines and empty ducts which lead from warmer or colder areas to the sensor

Measurement variations from such sources of interference must be corrected in the ETS in order to ensure the specified accuracy of the sensor (offset).

## 3.2. Connection



**For installation and wiring at the KNX connection, the provisions and standards applicable to SELV circuits must be complied with!**

The connection is made with the KNX terminal (red/black) to KNX TP.

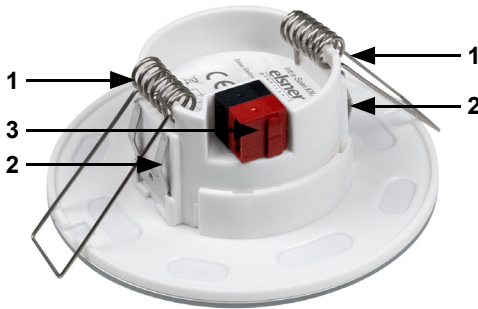


Fig. 1

- 1 Clamps for installation in false ceiling
- 2 Springs for installation in support ring
- 3 KNX terminal

### 3.2.1. Assembly

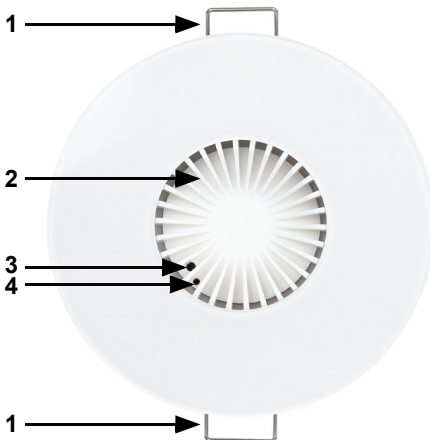


Fig. 2

- 1 Clamps for installation in false ceiling
- 2 Airing lamella
- 3 Programming button (recessed, larger opening)
- 4 Programming LED (recessed, smaller opening)



### **Installation in false ceiling**

Connect the bus line to the KNX terminal (red/black).

Place the device in the installation opening in the ceiling. For this, fold the clamps upwards and guide the device through the installation opening with the clamps first.

**Intra-Sewi KNX T(H)** is automatically fixed by the clamps.

Fig. 3

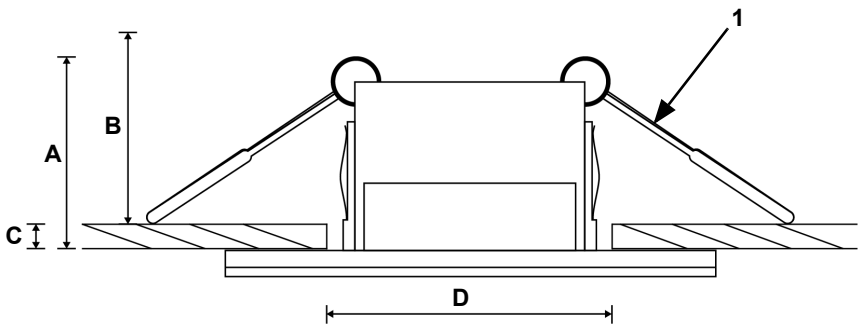
1 Clamps for installation in false ceiling

A Height in wall (built-in): approx. 31 mm

B Space behind the false ceiling, necessary for insertion (clear dimension): approx. 31 mm

C Maximum wall thickness: 20 mm

D Hole size for installation: 50...65 mm



### **Installation in connector socket**

Before socket installation, remove the clamps for the false ceiling installation.

Screw the support ring onto the socket. Pay attention to the orientation as shown in the chapter *Coverage area of the motion detector*.

Connect the bus line to the KNX terminal (red/black).

Clamp the device in the support ring so that the springs on the device snap over the tabs of the support ring.

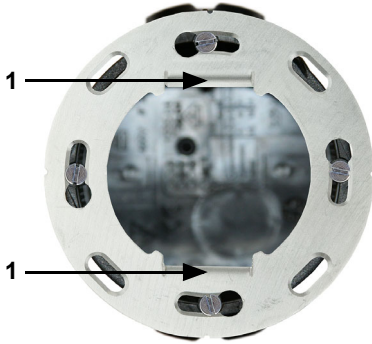


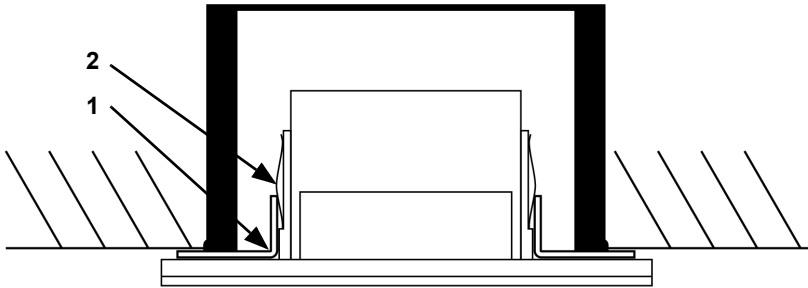
Fig. 4: Support ring  
1 Tabs

Fig. 5

Connector socket with  $\varnothing$  60 mm, 42 mm deep.

1 Support ring, screwed to the socket

2 Springs hold the device firmly on the support ring



## 4. Commissioning

The ventilation slots on the side must not be dirty, painted over or covered.

After the bus voltage has been applied, the device will enter an initialisation phase lasting approx. 5 seconds. During this phase no information can be received or sent via the bus.

The presence sensor has a start-up phase of approx. 15 seconds during which the presence of persons is not detected.

### 4.1. Addressing the equipment

The individual address is assigned via the ETS. For this purpose there is a button with a control LED on the unit (Fig. 2, No. 3+4).

The equipment is delivered with the bus address 15.15.255. Another address can be programmed using the ETS.

## **5. Maintenance**

---

---

As a rule, it is sufficient to wipe the device with a soft, dry cloth twice a year.

## **6. Disposal**

---

---

After use, the device must be disposed of in accordance with the legal regulations. Do not dispose of it with the household waste!

## 7. Transfer protocol

### Units:

*Temperatures in degrees Celsius*

*Air humidity in %*

*Absolute air humidity in g/kg and/or g/m<sup>3</sup>*

*Variables in %*

### 7.1. List of all communication objects

#### Abbreviation flags:

*C* Communication

*R* Read

*W* Write

*T* Transfer

*U* Update

No.	Text	Function	Flags	Data Point Type	Size
For all models:					
0	Software version	Output	R-CT	[217.1] DPT_Version	2 Bytes
56	Temperature sensor: malfunction	Output	R-CT	[1.1] DPT_Switch	1 Bit
57	Temperature sensor: measured value external	Input	-WCT	[9.1] DPT_Value_Temp	2 Bytes
58	Temperature sensor: measured value	Output	R-CT	[9.1] DPT_Value_Temp	2 Bytes
59	Temperature sensor: measured value total	Output	R-CT	[9.1] DPT_Value_Temp	2 Bytes
60	Temperature sensor: measured value min./max. query	Input	-WC-	[1.17] DPT_Trigger	1 Bit
61	Temperature sensor: measured value minimum	Output	R-CT	[9.1] DPT_Value_Temp	2 Bytes
62	Temperature sensor: measured value maximum	Output	R-CT	[9.1] DPT_Value_Temp	2 Bytes
63	Temperature sensor: measured value min./max. reset	Input	-WC-	[1.17] DPT_Trigger	1 Bit
66	Temp. thresholdV 1: Absolute value	Input / Output	-WCT	[9.1] DPT_Value_Temp	2 Bytes
67	Temp. thresholdV 1: (1:+   0:-)	Input	-WC-	[1.1] DPT_Switch	1 Bit
68	Temp. thresholdV 1: Switching delay from 0 to 1	Input	-WC-	[7.5] DPT_TimePeriodSec	2 Bytes
69	Temp. thresholdV 1: Switching delay from 1 to 0	Input	-WC-	[7.5] DPT_TimePeriodSec	2 Bytes

No.	Text	Function	Flags	Data Point Type	Size
70	Temp. thresholdV 1: Switching output	Output	R-CT	[1.1] DPT_Switch	1 Bit
71	Temp. thresholdV 1: Switching output block	Input	-WC-	[1.1] DPT_Switch	1 Bit
72	Temp. thresholdV 2: Absolute value	Input / Output	-WCT	[9.1] DPT_Value_Temp	2 Bytes
73	Temp. thresholdV 2: (1:+   0:-)	Input	-WC-	[1.1] DPT_Switch	1 Bit
74	Temp. thresholdV 2: Switching delay from 0 to 1	Input	-WC-	[7.5] DPT_TimePeriodSec	2 Bytes
75	Temp. thresholdV 2: Switching delay from 1 to 0	Input	-WC-	[7.5] DPT_TimePeriodSec	2 Bytes
76	Temp. thresholdV 2: Switching output	Output	R-CT	[1.1] DPT_Switch	1 Bit
77	Temp. thresholdV 2: Switching output block	Input	-WC-	[1.1] DPT_Switch	1 Bit
78	Temp. thresholdV 3: Absolute value	Input / Output	-WCT	[9.1] DPT_Value_Temp	2 Bytes
79	Temp. thresholdV 3: (1:+   0:-)	Input	-WC-	[1.1] DPT_Switch	1 Bit
80	Temp. thresholdV 3: Switching delay from 0 to 1	Input	-WC-	[7.5] DPT_TimePeriodSec	2 Bytes
81	Temp. thresholdV 3: Switching delay from 1 to 0	Input	-WC-	[7.5] DPT_TimePeriodSec	2 Bytes
82	Temp. thresholdV 3: Switching output	Output	R-CT	[1.1] DPT_Switch	1 Bit
83	Temp. thresholdV 3: Switching output block	Input	-WC-	[1.1] DPT_Switch	1 Bit
84	Temp. threshold value 4: Absolute value	Input / Output	-WCT	[9.1] DPT_Value_Temp	2 Bytes
85	Temp. threshold value 4: (1:+   0:-)	Input	-WC-	[1.1] DPT_Switch	1 Bit
86	Temp. thresh. val. 4: Switching delay from 0 to 1	Input	-WC-	[7.5] DPT_TimePeriodSec	2 Bytes
87	Temp. thresh. val. 4: Switching delay from 1 to 0	Input	-WC-	[7.5] DPT_TimePeriodSec	2 Bytes
88	Temp. threshold value 4: Switching output	Output	R-CT	[1.1] DPT_Switch	1 Bit
89	Temp. threshold value 4: Switching output block	Input	-WC-	[1.1] DPT_Switch	1 Bit
95	Temp.control: HVAC mode (priority 1)	Input	-WC-	[20.102] DPT_HVACMode	1 Byte
96	Temp.control: HVAC mode (priority 2)	Input	-WCT	[20.102] DPT_HVACMode	1 Byte

No.	Text	Function	Flags	Data Point Type	Size
97	Temp.control: Mode frost/heat protection activat.	Input	-WCT	[1.1] DPT_Switch	1 Bit
98	Temp.control: Block (1 = Blocking)	Input	-WC-	[1.1] DPT_Switch	1 Bit
99	Temp.control: Current setpoint	Output	R-CT	[9.1] DPT_Value_Temp	2 Bytes
100	Temp.control: Switch. (0: Heating   1: Cooling)	Input	-WC-	[1.1] DPT_Switch	1 Bit
101	Temp.control: Setpoint Comfort heating	Input / Output	-WCT	[9.1] DPT_Value_Temp	2 Bytes
102	Temp.control: Setpoint Comfort heat.(1:+   0:-)	Input	-WC-	[1.1] DPT_Switch	1 Bit
103	Temp.control: Setpoint Comfort cooling	Input / Output	-WCT	[9.1] DPT_Value_Temp	2 Bytes
104	Temp.control: Setpoint Comfort cool.(1:+   0:-)	Input	-WC-	[1.1] DPT_Switch	1 Bit
105	Temp.control: Basic 16-bit setpoint shift	Input / Output	-WCT	[9.1] DPT_Value_Temp	2 Bytes
106	Temp.control: Setpoint Standby heating	Input / Output	-WCT	[9.1] DPT_Value_Temp	2 Bytes
107	Temp.control: Setpoint Standby heat.(1:+   0:-)	Input	-WC-	[1.1] DPT_Switch	1 Bit
108	Temp.control: Setpoint Standby cooling	Input / Output	-WCT	[9.1] DPT_Value_Temp	2 Bytes
109	Temp.control: Setpoint Standby cool. (1:+   0:-)	Input	-WC-	[1.1] DPT_Switch	1 Bit
110	Temp.control: Setpoint Eco heating	Input / Output	-WCT	[9.1] DPT_Value_Temp	2 Bytes
111	Temp.control: Setpoint Eco heating (1:+   0:-)	Input	-WC-	[1.1] DPT_Switch	1 Bit
112	Temp.control: Setpoint Eco cooling	Input / Output	-WCT	[9.1] DPT_Value_Temp	2 Bytes
113	Temp.control: Setpoint Eco cooling (1:+   0:-)	Input	-WC-	[1.1] DPT_Switch	1 Bit
114	Temp.control: Control variable heating (level 1)	Output	R-CT	[5.1] DPT_Scaling	1 Byte
115	Temp.control: Control variable heating (level 2)	Output	R-CT	[5.1] DPT_Scaling	1 Byte
116	Temp.control: Control variable cooling (level 1)	Output	R-CT	[5.1] DPT_Scaling	1 Byte
117	Temp.control: Control variable cooling (level 2)	Output	R-CT	[5.1] DPT_Scaling	1 Byte
118	Temperature control: Variable for 4/6-way valve	Output	R-CT	[5.1] DPT_Scaling	1 Byte

No.	Text	Function	Flags	Data Point Type	Size
119	Temp.control: Status Heat. level 1 (1=ON 0=OFF)	Output	R-CT	[1.1] DPT_Switch	1 Bit
120	Temp.control: Status Heat. level 2 (1=ON 0=OFF)	Output	R-CT	[1.1] DPT_Switch	1 Bit
121	Temp.control: Status Cool. level 1 (1=ON 0=OFF)	Output	R-CT	[1.1] DPT_Switch	1 Bit
122	Temp.control: Status Cool. level 2 (1=ON 0=OFF)	Output	R-CT	[1.1] DPT_Switch	1 Bit
123	Temp.control: Comfort extension status	Input / Output	-WCT	[1.1] DPT_Switch	1 Bit
124	Temp.control: Comfort Extension time	Input	-WCT	[7.5] DPT_TimePeriodSec	2 Bytes
Only for model TH:					
130	Humidity sensor: malfunction	Output	R-CT	[1.1] DPT_Switch	1 Bit
131	Humidity sensor: measured value external	Input	-WCT	[9.7] DPT_Value_Humidity	2 Bytes
132	Humidity sensor: measured value	Output	R-CT	[9.7] DPT_Value_Humidity	2 Bytes
133	Humidity sensor: measured value total	Output	R-CT	[9.7] DPT_Value_Humidity	2 Bytes
134	Humidity sensor: measured value min./max. query	Input	-WC-	[1.17] DPT_Trigger	1 Bit
135	Humidity sensor: measured value minimum	Output	R-CT	[9.7] DPT_Value_Humidity	2 Bytes
136	Humidity sensor: measured value maximum	Output	R-CT	[9.7] DPT_Value_Humidity	2 Bytes
137	Humidity sensor: measured value min./max. reset	Input	-WC-	[1.17] DPT_Trigger	1 Bit
138	Humidity thresholdV 1: Absolute value	Input / Output	-WCT	[9.7] DPT_Value_Humidity	2 Bytes
139	Humidity thresholdV 1: (1:+   0:-)	Input	-WC-	[1.1] DPT_Switch	1 Bit
140	Humidity thresholdV 1: Delay from 0 to 1	Input	-WC-	[7.5] DPT_TimePeriodSec	2 Bytes
141	Humidity thresholdV 1: Delay from 1 to 0	Input	-WC-	[7.5] DPT_TimePeriodSec	2 Bytes
142	Humidity thresholdV 1: Switching output	Output	R-CT	[1.1] DPT_Switch	1 Bit
143	Humidity thresholdV 1: Switching output block	Input	-WC-	[1.1] DPT_Switch	1 Bit
144	Humidity thresholdV 2: Absolute value	Input / Output	-WCT	[9.7] DPT_Value_Humidity	2 Bytes

No.	Text	Function	Flags	Data Point Type	Size
145	Humidity thresholdV 2: (1:+   0:-)	Input	-WC-	[1.1] DPT_Switch	1 Bit
146	Humidity thresholdV 2: Delay from 0 to 1	Input	-WC-	[7.5] DPT_TimePeriodSec	2 Bytes
147	Humidity thresholdV 2: Delay from 1 to 0	Input	-WC-	[7.5] DPT_TimePeriodSec	2 Bytes
148	Humidity thresholdV 2: Switching output	Output	R-CT	[1.1] DPT_Switch	1 Bit
149	Humidity thresholdV 2: Switching output block	Input	-WC-	[1.1] DPT_Switch	1 Bit
150	Humidity thresholdV 3: Absolute value	Input / Output	-WCT	[9.7] DPT_Value_Humidity	2 Bytes
151	Humidity thresholdV 3: (1:+   0:-)	Input	-WC-	[1.1] DPT_Switch	1 Bit
152	Humidity thresholdV 3: Delay from 0 to 1	Input	-WC-	[7.5] DPT_TimePeriodSec	2 Bytes
153	Humidity thresholdV 3: Delay from 1 to 0	Input	-WC-	[7.5] DPT_TimePeriodSec	2 Bytes
154	Humidity thresholdV 3: Switching output	Output	R-CT	[1.1] DPT_Switch	1 Bit
155	Humidity thresholdV 3: Switching output block	Input	-WC-	[1.1] DPT_Switch	1 Bit
156	Humidity thresholdV 4: Absolute value	Input / Output	-WCT	[9.7] DPT_Value_Humidity	2 Bytes
157	Humidity thresholdV 4: (1:+   0:-)	Input	-WC-	[1.1] DPT_Switch	1 Bit
158	Humidity thresholdV 4: Delay from 0 to 1	Input	-WC-	[7.5] DPT_TimePeriodSec	2 Bytes
159	Humidity thresholdV 4: Delay from 1 to 0	Input	-WC-	[7.5] DPT_TimePeriodSec	2 Bytes
160	Humidity thresholdV 4: Switching output	Output	R-CT	[1.1] DPT_Switch	1 Bit
161	Humidity thresholdV 4: Switching output block	Input	-WC-	[1.1] DPT_Switch	1 Bit
165	Humidity control: Block (1: blocking)	Input	-WC-	[1.2] DPT_Bool	1 Bit
166	Humidity control: Target value	Input / Output	-WCT	[9.7] DPT_Value_Humidity	2 Bytes
167	Humidity control: Target value (1:+   0:-)	Input	-WC-	[1.2] DPT_Bool	1 Bit
168	Humidity control: Act. variable dehumidification	Output	R-CT	[5.1] DPT_Scaling	1 Byte
169	Humidity control: Act. variable dehumid. 2nd stage	Output	R-CT	[5.1] DPT_Scaling	1 Byte



No.	Text	Function	Flags	Data Point Type	Size
170	Humidity control: Act. variable humidification	Output	R-CT	[5.1] DPT_Scaling	1 Byte
171	Humidity control: Status dehumidif. (1:ON   0:OFF)	Output	R-CT	[1.1] DPT_Switch	1 Bit
172	Humidity control: Status dehumidif.2 (1:ON 0:OFF)	Output	R-CT	[1.1] DPT_Switch	1 Bit
173	Humidity control: Status humidif. (1:ON   0:OFF)	Output	R-CT	[1.1] DPT_Switch	1 Bit
175	Dew point: Measurement	Output	R-CT	[9.1] DPT_Value_Temp	2 Bytes
176	Cooling medium temp.: Threshold value	Output	R-CT	[9.1] DPT_Value_Temp	2 Bytes
177	Cooling medium temp.: Actual value	Input	-WCT	[9.1] DPT_Value_Temp	2 Bytes
178	Cooling medium temp.: Offset change (1:+   0:-)	Input	-WC-	[1.1] DPT_Switch	1 Bit
179	Cooling medium temp.: Offset current	Output	R-CT	[9.1] DPT_Value_Temp	2 Bytes
180	Cooling medium temp.: Switching delay from 0 to 1	Input	-WC-	[7.5] DPT_TimePeriodSec	2 Bytes
181	Cooling medium temp.: Switching delay from 1 to 0	Input	-WC-	[7.5] DPT_TimePeriodSec	2 Bytes
182	Cooling medium temp.: Switching output	Output	R-CT	[1.1] DPT_Switch	1 Bit
183	Cooling medium temp.: Switching output block	Input	-WC-	[1.1] DPT_Switch	1 Bit
184	Absolute humidity [g/kg]	Output	R-CT	[14.5] DPT_Value_Amplitude	4 Bytes
185	Absolute humidity [g/m <sup>3</sup> ]	Output	R-CT	[14.17] DPT_Value_Density	4 Bytes
186	Ambient climate status: 1=comfortable 0=uncomfort.	Output	R-CT	[1.1] DPT_Switch	1 Bit
187	Ambient climate status: Text	Output	R-CT	[16.0] DPT_String_ASCII	14 Bytes
For all models:					
189	Actuating variable comparator 1: Input 1	Input	-WC-	[5.1] DPT_Scaling	1 Byte
190	Actuating variable comparator 1: Input 2	Input	-WC-	[5.1] DPT_Scaling	1 Byte
191	Actuating variable comparator 1: Input 3	Input	-WC-	[5.1] DPT_Scaling	1 Byte
192	Actuating variable comparator 1: Input 4	Input	-WC-	[5.1] DPT_Scaling	1 Byte

No.	Text	Function	Flags	Data Point Type	Size
193	Actuating variable comparator 1: Input 5	Input	-WC-	[5.1] DPT_Scaling	1 Byte
194	Actuating variable comparator 1: Output	Output	R-CT	[5.1] DPT_Scaling	1 Byte
195	Actuating variable comparator 1: Block (1: block)	Output	-WC-	[1.2] DPT_Bool	1 Bit
196	Actuating variable comparator 2: Input 1	Input	-WC-	[5.1] DPT_Scaling	1 Byte
197	Actuating variable comparator 2: Input 2	Input	-WC-	[5.1] DPT_Scaling	1 Byte
198	Actuating variable comparator 2: Input 3	Input	-WC-	[5.1] DPT_Scaling	1 Byte
199	Actuating variable comparator 2: Input 4	Input	-WC-	[5.1] DPT_Scaling	1 Byte
200	Actuating variable comparator 2: Input 5	Input	-WC-	[5.1] DPT_Scaling	1 Byte
201	Actuating variable comparator 2: Output	Output	R-CT	[5.1] DPT_Scaling	1 Byte
202	Actuating variable comparator 2: Block (1: block)	Output	-WC-	[1.2] DPT_Bool	1 Bit
204	Logic input 1	Input	-WC-	[1.2] DPT_Bool	1 Bit
205	Logic input 2	Input	-WC-	[1.2] DPT_Bool	1 Bit
206	Logic input 3	Input	-WC-	[1.2] DPT_Bool	1 Bit
207	Logic input 4	Input	-WC-	[1.2] DPT_Bool	1 Bit
208	Logic input 5	Input	-WC-	[1.2] DPT_Bool	1 Bit
209	Logic input 6	Input	-WC-	[1.2] DPT_Bool	1 Bit
210	Logic input 7	Input	-WC-	[1.2] DPT_Bool	1 Bit
211	Logic input 8	Input	-WC-	[1.2] DPT_Bool	1 Bit
212	Logic input 9	Input	-WC-	[1.2] DPT_Bool	1 Bit
213	Logic input 10	Input	-WC-	[1.2] DPT_Bool	1 Bit
214	Logic input 11	Input	-WC-	[1.2] DPT_Bool	1 Bit
215	Logic input 12	Input	-WC-	[1.2] DPT_Bool	1 Bit

No.	Text	Function	Flags	Data Point Type	Size
216	Logic input 13	Input	-WC-	[1.2] DPT_Bool	1 Bit
217	Logic input 14	Input	-WC-	[1.2] DPT_Bool	1 Bit
218	Logic input 15	Input	-WC-	[1.2] DPT_Bool	1 Bit
219	Logic input 16	Input	-WC-	[1.2] DPT_Bool	1 Bit
220	AND logic 1: 1 bit switching output	Output	R-CT	[1.2] DPT_Bool	1 Bit
221	AND logic 1: 8 bit output A	Output	R-CT	[5.010] DPT_Value_1_Ucount	1 Bit - 2x1 Byte
222	AND logic 1: 8 bit output B	Output	R-CT	[5.010] DPT_Value_1_Ucount	1 Bit - 2x1 Byte
223	AND logic 1: Block	Input	-WC-	[1.1] DPT_Switch	1 Bit
224	AND logic 2: 1 bit switching output	Output	R-CT	[1.2] DPT_Bool	1 Bit
225	AND logic 2: 8 bit output A	Output	R-CT	[5.010] DPT_Value_1_Ucount	1 Bit - 2x1 Byte
226	AND logic 2: 8 bit output B	Output	R-CT	[5.010] DPT_Value_1_Ucount	1 Bit - 2x1 Byte
227	AND logic 2: Block	Input	-WC-	[1.1] DPT_Switch	1 Bit
228	AND logic 3: 1 bit switching output	Output	R-CT	[1.2] DPT_Bool	1 Bit
229	AND logic 3: 8 bit output A	Output	R-CT	[5.010] DPT_Value_1_Ucount	1 Bit - 2x1 Byte
230	AND logic 3: 8 bit output B	Output	R-CT	[5.010] DPT_Value_1_Ucount	1 Bit - 2x1 Byte
231	AND logic 3: Block	Input	-WC-	[1.1] DPT_Switch	1 Bit
232	AND logic 4: 1 bit switching output	Output	R-CT	[1.2] DPT_Bool	1 Bit
233	AND logic 4: 8 bit output A	Output	R-CT	[5.010] DPT_Value_1_Ucount	1 Bit - 2x1 Byte
234	AND logic 4: 8 bit output B	Output	R-CT	[5.010] DPT_Value_1_Ucount	1 Bit - 2x1 Byte
235	AND logic 4: Block	Input	-WC-	[1.1] DPT_Switch	1 Bit
236	OR logic 1: 1 bit switching output	Output	R-CT	[1.2] DPT_Bool	1 Bit
237	OR logic 1: 8 bit output A	Output	R-CT	[5.010] DPT_Value_1_Ucount	1 Bit - 2x1 Byte

No.	Text	Function	Flags	Data Point Type	Size
238	OR logic 1: 8 bit output B	Output	R-CT	[5.010] DPT_-Value_1_Ucount	1 Bit - 2x1 Byte
239	OR logic 1: Block	Input	-WC-	[1.1] DPT_Switch	1 Bit
240	OR logic 2: 1 bit switching output	Output	R-CT	[1.2] DPT_Bool	1 Bit
241	OR logic 2: 8 bit output A	Output	R-CT	[5.010] DPT_-Value_1_Ucount	1 Bit - 2x1 Byte
242	OR logic 2: 8 bit output B	Output	R-CT	[5.010] DPT_-Value_1_Ucount	1 Bit - 2x1 Byte
243	OR logic 2: Block	Input	-WC-	[1.1] DPT_Switch	1 Bit
244	OR logic 3: 1 bit switching output	Output	R-CT	[1.2] DPT_Bool	1 Bit
245	OR logic 3: 8 bit output A	Output	R-CT	[5.010] DPT_-Value_1_Ucount	1 Bit - 2x1 Byte
246	OR logic 3: 8 bit output B	Output	R-CT	[5.010] DPT_-Value_1_Ucount	1 Bit - 2x1 Byte
247	OR logic 3: Block	Input	-WC-	[1.1] DPT_Switch	1 Bit
248	OR logic 4: 1 bit switching output	Output	R-CT	[1.2] DPT_Bool	1 Bit
249	OR logic 4: 8 bit output A	Output	R-CT	[5.010] DPT_-Value_1_Ucount	1 Bit - 2x1 Byte
250	OR logic 4: 8 bit output B	Output	R-CT	[5.010] DPT_-Value_1_Ucount	1 Bit - 2x1 Byte
251	OR logic 4: Block	Input	-WC-	[1.1] DPT_Switch	1 Bit

## 8. Parameter setting

### 8.1. Behaviour on power failure/ restoration of power

#### ***Behaviour following a failure of the bus power supply:***

The device sends nothing.

#### ***Behaviour on bus restoration of power and following programming or reset:***

The device sends all outputs according to their send behaviour set in the parameters with the delays established in the "General settings" parameter block.

## 8.2. General settings

Set basic characteristics for the data transfer.

Send delay after reset/bus restoration for:	
Measured values	<u>5 s</u> • ... • 300 s
Threshold values and switching outputs	<u>5 s</u> • ... • 300 s
Controller objects	<u>5 s</u> • ... • 300 s
Comparator and logic objects	<u>5 s</u> • ... • 300 s
Maximum telegram rate	<ul style="list-style-type: none"> <li>• 1 message per second</li> <li>• ...</li> <li>• <u>10 messages per second</u></li> <li>• ...</li> <li>• 50 messages per second</li> </ul>

## 8.3. Temperature Measurement

Select, whether a **malfunction object** is to be sent if the sensor is faulty.

Use malfunction object	<u>No</u> • Yes
------------------------	-----------------

Use **Offsets** to adjust the readings to be sent.

Offset in 0.1°C	-50...50; <u>0</u>
-----------------	--------------------

The unit can calculate a **mixed value** from its own reading and an external value. Set the mixed value calculation if desired. If an external portion is used, all of the following settings (threshold values, etc.) are related to the overall reading.

Use external measured value	<u>No</u> • Yes
Ext. Reading proportion of the total reading	5% • 10% • ... • <u>50%</u> • ... • 100%
Sending pattern for internal and total measured value	<ul style="list-style-type: none"> <li>• <u>never</u></li> <li>• periodically</li> <li>• on change</li> <li>• on change and periodically</li> </ul>
At and above change of (if sent on change)	0.1°C • 0.2°C • <u>0.5°C</u> • ... • 5.0°C
Send cycle (if sent periodically)	5 s • <u>10 s</u> • ... • 2 h

The **minimum and maximum readings** can be saved and sent to the bus. Use the "Reset temperature min/max. value" objects to reset the values to the current readings. The values are not retained after a reset.

Use minimum and maximum value	<u>No</u> • Yes
-------------------------------	-----------------

## 8.4. Temperature threshold values

Activate the required temperature threshold values. The menus for setting the threshold values are displayed.

Use threshold value 1/2/3/4	Yes • <u>No</u>
-----------------------------	-----------------

### 8.4.1. Threshold value 1, 2, 3, 4

#### Threshold value

Set, in which cases **threshold values and delay times** received via object are to be retained. The parameter is only taken into consideration if the setting via object is activated below. Please note that the setting "After power supply restoration and programming" should not be used for the initial start-up, as the factory settings are always used until the first communication (setting via objects is ignored).

Maintain the threshold values and delays received via communication objects	<ul style="list-style-type: none"> <li>• <u>never</u></li> <li>• after power supply restoration</li> <li>• after power supply restoration and programming</li> </ul>
---	--

Set the threshold value directly in the application program using parameters, or define them via the bus using a communication object.

#### **Threshold value setting via parameter:**

Set the threshold values and hysteresis directly.

Threshold value setting via	<b>Parameter</b> • Communication objects
Threshold value in 0.1°C	-300 ... 800; <u>200</u>

#### **Threshold value setting via a communication object:**

Define, how the threshold value is to be received from the bus. Basically, a new value can be received, or simply a command to increase or decrease.

During initial commissioning, a threshold value must be defined, which will be valid until the first communication with a new threshold value. For units which have already been taken into service, the last communicated threshold value can be used. Basically, a temperature range is given, in which the threshold value can be changed (object value limit).

A set threshold value will be retained until a new value or a change is transferred. The current value is saved, so that it is retained in the event of a power supply failure and will be available once the power supply is restored.

Threshold value setting via	Parameter • <b>Communication objects</b>
Start threshold value in 0.1°C valid until first communication	-300 ... 800; <u>200</u>
Object value limit (min) in 0.1°C	<u>-300</u> ...800
Object value limit (max) in 0.1°C	-300... <u>800</u>
Type of threshold value change	<u>Absolute value</u> • Increase/decrease
Increment (upon increase/decrease change)	<u>0.1°C</u> • ... • 5°C

Set the **hysteresis** independent of the type of threshold value specification.

Hysteresis setting	in % • <u>absolute</u>
Hysteresis in 0.1°	0...1100; <u>50</u>
Hysteresis in % of the threshold value	0 ... 50; <u>20</u>

## Switching output

Set the behaviour of the switching output when a threshold value is exceeded/undercut. The output switching delay can be set using objects or directly as a parameter.

When the following conditions apply, the output is (TV = Threshold value)	<ul style="list-style-type: none"> <li>• <u>TV above = 1</u>   TV - hyst. below = 0</li> <li>• <u>TV above = 0</u>   TV - hyst. below = 1</li> <li>• TV below = 1   TV + hyst. above = 0</li> <li>• TV below = 0   TV + hyst. above = 1</li> </ul>
Delays can be set via objects (in seconds)	<u>No</u> • Yes
Switching delay from 0 to 1 (If delay can be set via objects: valid until 1st communication)	<u>None</u> • 1 s • 2 s • 5 s • 10 s • ... • 2 h
Switching delay from 1 to 0 (If delay can be set via objects: valid until 1st communication)	<u>None</u> • 1 s • 2 s • 5 s • 10 s • ... • 2 h
Switching output sends	<ul style="list-style-type: none"> <li>• <u>on change</u></li> <li>• on change to 1</li> <li>• on change to 0</li> <li>• on change and periodically</li> <li>• on change to 1 and periodically</li> <li>• on change to 0 and periodically</li> </ul>
Cycle (only if sending periodically is selected)	<u>5 s</u> • 10 s • 30 s... • 2 h

## Block

The switching output can be blocked using an object.

Use switching output block	<u>No</u> • Yes
----------------------------	-----------------

If the block is activated, define specifications here for the behaviour of the output when blocked.

Analysis of the blocking object	<ul style="list-style-type: none"> <li>• <u>At value 1: block</u>   <u>At value 0: release</u></li> <li>• <u>At value 0: block</u>   <u>At value 1: release</u></li> </ul>
Blocking object value before 1st communication	<u>0</u> • 1
Behaviour of the switching output	
On block	<ul style="list-style-type: none"> <li>• <u>Do not send message</u></li> <li>• send 0</li> <li>• send 1</li> </ul>
On release (with 2 seconds release delay)	[Dependent on the "Switching output sends" setting]

The behaviour of the switching output on release is dependent on the value of the parameter "Switching output sends" (see "Switching output")

Switching output sends on change	<ul style="list-style-type: none"> <li>• Do not send message</li> <li>• Send switching output status</li> </ul>
Switching output sends on change to 1	<ul style="list-style-type: none"> <li>• Do not send message</li> <li>• if switching output = 1 → send 1</li> </ul>
Switching output sends on change to 0	<ul style="list-style-type: none"> <li>• Do not send message</li> <li>• if switching output = 0 → send 0</li> </ul>
Switching output sends on change and periodically	Send switching output status
Switching output sends on change to 1 and periodically	if switching output = 1 → send 1
Switching output sends on change to 0 and periodically	if switching output = 0 → send 0

## 8.5. Temperature PI control

Activate the control if you want to use it.

Use control	<u>No</u> • Yes
-------------	-----------------

### General control

Set, in which cases **setpoint values and extension time** received via object are to be retained. The parameter is only taken into consideration if the setting via object is activated below. Please note that the setting "After power supply restoration and programming" should not be used for the initial start-up, as the factory settings are always used until the 1st communication (setting via objects is ignored).

Maintain the	
Target values and extension time received via communication objects	<ul style="list-style-type: none"> <li>• never</li> <li>• <u>after power supply restoration</u></li> <li>• after power supply restoration and programming</li> </ul>



For an adequate regulation of the ambient temperature, comfort, standby, eco and building protection modes may be used.

**Comfort** when present,

**Standby** during short absences,

**Eco** as a night-time mode and

**Frost/heat protection** (building protection) e. g. with the window open.

The settings for the temperature control include the setpoint temperatures for the individual modes. Objects are used to determine which mode is to be selected. A change of mode may be triggered manually or automatically (e.g. by a timer, window contact).

The **mode** may be switched with two 8 bit objects of different priority. Objects

„... HVAC mode (Prio 2)“ for switching in everyday operation and

„... HVAC mode (Prio 1)“ for central switching with higher priority.

The objects are coded as follows:

0 = Auto

1 = Comfort

2 = Standby

3 = Eco

4 = Building Protection

Alternatively, you can use three objects, with one object switching between eco and standby mode and the two others activating comfort mode and frost/heat protection mode respectively. The comfort object blocks the eco/standby object, and the frost/heat protection object has the highest priority. Objects

„... Mode (1: Eco, 0: Standby)“,

„... comfort activation mode“ and

„... frost/heat protection activation mode“

Switch mode via	<ul style="list-style-type: none"> <li>• two 8 Bit objects (HVAC Modes)</li> <li>• three 1 bit objects</li> </ul>
-----------------	---

Select the **mode to be activated after reset** (e.g. power failure, reset of the line via the bus) (Default).

Then configure a temperature control **block** via the blocking object.

Mode after reset	<ul style="list-style-type: none"> <li>• Comfort</li> <li>• <u>Standby</u></li> <li>• Eco</li> <li>• Building protection</li> </ul>
Behaviour of the blocking object with value	<ul style="list-style-type: none"> <li>• <u>1 = Block   0 = release</u></li> <li>• 0 = block   1 = release</li> </ul>
Value of the blocking object after reset	<u>0</u> • 1

Specify when the current **control variables** of the controller are to be **sent** to the bus. Periodic sending is safer, in case a message does not reach a recipient. You may also set up periodical monitoring by the actuator with this setting.

Send control variable	<ul style="list-style-type: none"> <li>• <u>on change</u></li> <li>• on change and periodically</li> </ul>
from change (in % absolute)	1...10; <u>2</u>

Cycle <i>(if sent periodically)</i>	5 s • ... • <u>5 min</u> • ... • 2 h
--	--------------------------------------

The **status object** reports the current status of the control variables (0% = OFF, >0% = ON) and may for example be used for visualisation, or to switch off the heating pump as soon as the heating is switched off.

Send status objects	<ul style="list-style-type: none"> <li>• <u>on change</u></li> <li>• on change to 1</li> <li>• on change to 0</li> <li>• on change and periodically</li> <li>• on change to 1 and periodically</li> <li>• on change to 0 and periodically</li> </ul>
Cycle <i>(if sent periodically)</i>	5 s • ... • <u>5 min</u> • ... • 2 h

Then define the **type of control**. Heating and/or cooling may be controlled in two levels.

Type of control	<ul style="list-style-type: none"> <li>• <u>Single level heating</u></li> <li>• Dual-level heating</li> <li>• Single-level cooling</li> <li>• Dual-level cooling</li> <li>• Single-level heating + single-level cooling</li> <li>• Dual-level heating + single-level cooling</li> <li>• Dual-level heating + dual-level cooling</li> </ul>
-----------------	--

## General setpoint values

You may enter separate setpoint values for each mode or use the comfort setpoint as a basic value.

If you are using the control for both heating *and* cooling, you may also select the setting "separately with switching object". Systems used for cooling in summer and for heating in winter can thus be switched from one to the other.

If you are using the basic value, only the deviation from the comfort setpoint value is listed for the other modes (e.g. 2°C less for standby mode).

Receive changed setpoints after mode change	no • <u>yes</u>
Setting the setpoint values	<ul style="list-style-type: none"> <li>• <u>with separate setpoint values with Switching object</u></li> <li>• with separate setpoint values without Switching object</li> <li>• with comfort setpoint as a basis with Switching object</li> <li>• with comfort setpoint as a basis without Switching object</li> </ul>
Behaviour of the switching object at value <i>(with switching object)</i>	<ul style="list-style-type: none"> <li>• <u>0 = Heating   1 = Cooling</u></li> <li>• 1 = Heating   0 = Cooling</li> </ul>

Value of the switching object after reset (with switching object)	<u>0</u> • 1
--	--------------

The **increment** for the setpoint changes is predefined. Whether the change only remains temporarily active (not saved) or is also retained after power supply restoration (and programming), is specified in the first section of "General control". This also applies to a comfort extension.

Increment for setpoint changes (in 0.1 °C)	1... 50; <u>10</u>
---	--------------------

The control may be reset to comfort mode from eco mode, which is used as night mode, via the comfort extension. This allows the user to maintain the comfort setpoint value for a longer time, e.g. when having guests. The duration of this comfort extension period is set. After the comfort extension period expires, the system returns to eco mode.

Comfort extension time in seconds (can only be activated from eco mode)	1...36000; <u>3600</u>
--	------------------------

## Comfort Setpoint

Comfort mode is usually used for daytime mode when people are present. A starting value is defined for the comfort setpoint as well as a temperature range in which the setpoint value may be modified.

Starting heating/cooling setpoint (in 0.1 °C) valid until 1st communication (not upon saving the setpoint value after programming)	-300...800; <u>210</u>
--	------------------------

### ***If setpoint values are entered separately:***

Min. object value heating/cooling (in 0.1 °C)	-300...800; <u>160</u>
Max. object value heating/cooling (in 0.1 °C)	-300...800; <u>280</u>

### ***If the comfort setpoint value is used as a basis:***

If the comfort setpoint value is used as a basis, the reduction/increment of the value is set.

Minimum base setpoint (in 0.1°C)	-300...800; <u>160</u>
Maximum base setpoint (in 0.1°C)	-300...800; <u>280</u>
Reduction by up to (in 0.1°C)	0... 100; <u>50</u>
Increase by up to (in 0.1°C)	0... 100; <u>50</u>

If the comfort setpoint is used as the basis without a switching object, a dead zone is specified for the control mode "heating *and* cooling" to avoid direct switching from heating to cooling.

Dead zone between heating and cooling (only if both heating AND cooling are used)	1...100; <u>50</u>
--	--------------------

## Standby setpoint

Standby mode is usually used for daytime mode when people are absent.

### ***If setpoint values are entered separately:***

A starting setpoint value is defined as well as a temperature range in which the setpoint value may be changed.

Starting heating/cooling setpoint (in 0.1 °C) valid until 1st communication	-300...800; <u>180</u>
Min. object value heating/cooling (in 0.1 °C)	-300...800; <u>160</u>
Max. object value heating/cooling (in 0.1 °C)	-300...800; <u>280</u>

### ***If the comfort setpoint value is used as a basis:***

If the comfort setpoint value is used as a basis, the reduction/increment of the value is set.

Reduce heating setpoint (in 0.1°C) (for heating)	0...200; <u>30</u>
Increase cooling setpoint (in 0.1°C) (for cooling)	0...200; <u>30</u>

## Eco setpoint

Eco mode is usually used for night mode.

### ***If setpoint values are entered separately:***

A starting setpoint value is defined as well as a temperature range in which the setpoint value may be changed.

Starting heating/cooling setpoint (in 0.1 °C) valid until 1st communication	-300...800; <u>160</u>
Min. object value heating/cooling (in 0.1 °C)	-300...800; <u>160</u>
Max. object value heating/cooling (in 0.1 °C)	-300...800; <u>280</u>

**If the comfort setpoint value is used as a basis:**

If the comfort setpoint value is used as a basis, the reduction/increment of the value is set.

Reduce heating setpoint (in 0.1°C) (for heating)	0...200; <u>50</u>
Increase cooling setpoint (in 0.1°C) (for cooling)	0...200; <u>60</u>

**Setpoint values for frost/heat protection (building protection)**

The building protection mode is for example used as long as windows are opened for ventilation. Setpoints for frost protection (heating) and heat protection (cooling) are determined which may not be modified from outside (no access via operating devices etc.). The building protection mode may be activated with delay, which allows you to leave the building before the controls switch to frost/heat protection mode.

Setpoint frost protection (in 0.1°C)	-300...800; <u>70</u>
Activation delay	less than • 5 s • ... • <u>5 min</u> • ... • 2 h
Setpoint heat protection (in 0.1°C)	-300...800; <u>350</u>
Activation delay	less than • 5 s • ... • <u>5 min</u> • ... • 2 h

**General control variables**

This setting appears for the control types "Heating *and* Cooling" only. Here, you can decide whether to use a common control variable for heating and cooling. If the 2nd level has a common control variable, you also determine the control mode of the 2nd level here.

For heating and cooling	<ul style="list-style-type: none"> <li>• <u>separate control variables are used</u></li> <li>• common control variables are used for Level 1</li> <li>• common control variables are used for Level 2</li> <li>• common control variable are used for Level 1+2</li> </ul>
Use control variable for 4/6-way valve (only for common control variables in level 1)	<u>No</u> • Yes
Control type (for level 2 only)	<ul style="list-style-type: none"> <li>• 2-point-control</li> <li>• PI control</li> </ul>
Control variable of the 2nd Level is on (only for level 2 with 2 point controlling)	<ul style="list-style-type: none"> <li>• <u>1 bit object</u></li> <li>• 8 bit object</li> </ul>

When using the control variable for a 4/6 way valve, the following applies:

0%...100% heating = 66%...100% control variable

OFF = 50% control variable

0%...100% cooling = 33%...0% control variable

### 8.5.1. Heating control level 1/2

If a heating control mode is configured, one or two setting sections for the heating levels are displayed.

In the 1st level, heating is controlled by a PI control, which allows to either enter control parameters or select predetermined applications.

In the 2nd level (therefore only in case of 2-level heating), heating is controlled via a PI or a 2-point-control.

In level 2, the setpoint difference between the two levels must also be specified, i.e. below which setpoint deviation the second level is added.

Setpoint difference between 1st and 2nd level (in 0.1°C) <i>(for level 2)</i>	0...100; <u>40</u>
Control type <i>(for level 2, no common control variables)</i>	<ul style="list-style-type: none"> <li>• 2-point-control</li> <li>• PI control</li> </ul>
Control variable is a <i>(for level 2 with 2-point controlling, no common control variables)</i>	<ul style="list-style-type: none"> <li>• <u>1 bit object</u></li> <li>• 8 bit object</li> </ul>

#### **PI control with control parameters:**

This setting allows individual input of the parameters for PI control.

Control type	• <b>PI control</b>
Setting of the controller by	<ul style="list-style-type: none"> <li>• <b>Controller parameter</b></li> <li>• specified applications</li> </ul>

Specify the deviation from the setpoint value at which the maximum control variable value is reached, i.e. the point at which maximum heating power is activated.

The reset time shows how quickly the controller responds to deviations from the setpoint value. In case of a short reset time, the control responds with a fast increase of the control variable. In case of a long reset time, the control responds somewhat less urgently and needs longer until the necessary control variable for the setpoint value deviation is reached.

You should set the time appropriate to the heating system at this point (observe manufacturer's instructions).

Maximum control variable is reached at setpoint/actual difference of (in °C)	1... <u>5</u>
Reset time (in min.)	1...255; <u>30</u>

Now specify what should be sent when the control is blocked. Set a value greater 0 (=OFF) to receive a basic heating level, e.g. for floor heating.

On release, the control variable follows the rule again.

When blocked, the control variable shall	<ul style="list-style-type: none"> <li>• <u>not be sent</u></li> <li>• send a specific value</li> </ul>
Value (in %) <i>(if a value is sent)</i>	<u>0</u> ...100

In case of a common control variable for heating and cooling, 0 is always transmitted as a fixed value.

### **PI control with predetermined application:**

This setting provides fixed parameters for frequent applications.

Control type	• <b>PI control</b>
Setting of the controller by	• Controller parameter • <b>specified applications</b>
Application	• Warm water heating • Floor heating • Convection unit • Electric heating
Maximum control variable is reached at setpoint/actual difference of (in °C)	Warm water heating: 5 Floor heating: 5 Convection unit: 4 Electric heating: 4
Reset time (in min.)	Warm water heating: 150 Floor heating: 240 Convection unit: 90 Electric heating: 100

Now specify what should be sent when the control is blocked. Set a value greater 0 (=OFF) to receive a basic heating level, e.g. for floor heating.

On release, the control variable follows the rule again.

When blocked, the control variable shall	• not be sent • send a specific value
Value (in %) (if a value is sent)	<u>0</u> ...100

In case of a common control variable for heating and cooling, 0 is always transmitted as a fixed value.

### **2-point-control (only level 2):**

2-point-control is used for systems which are only set to ON or OFF.

Control type (is determined at a higher level for common control variables)	• <b>2-point-control</b>
--	--------------------------

Enter the hysteresis that prevents frequent on/off switching of temperatures in the threshold range.

Hysteresis (in 0.1°C)	0...100; <u>20</u>
-----------------------	--------------------

If separate control variables are used, select whether the control variable of the 2nd level is a 1 bit object (on/off) or an 8 bit object (on with percentage/off).

Control variable is a	<ul style="list-style-type: none"> <li>• <u>1 bit object</u></li> <li>• 8 bit object</li> </ul>
Value (in %) (for 8 bit object)	0... <u>100</u>

Now specify what should be sent when the control is blocked. Set a value greater 0 (=OFF) to receive a basic heating level, e.g. for floor heating. On release, the control variable follows the rule again.

When blocked, the control variable shall	<ul style="list-style-type: none"> <li>• not be sent</li> <li>• send a specific value</li> </ul>
Value (in %) only if a value is sent	<u>0</u> ...100

### 8.5.2. Cooling control level 1/2

If a cooling control mode is configured, one or two setting sections for the cooling levels are displayed.

In the 1st level, cooling is controlled by a PI control in which either control parameters can be entered or predetermined applications can be selected.

In the 2nd level (therefore only for 2-level cooling), cooling is controlled via a PI or a 2-point-control.

In level 2, the setpoint deviation between the two levels must also be specified, i.e. above which setpoint value deviation the second level is added.

Setpoint difference between 1st and 2nd level (in 0.1°C) (for level 2)	0...100; <u>40</u>
Control type (for level 2, no common control variables)	<ul style="list-style-type: none"> <li>• 2-point-control</li> <li>• PI control</li> </ul>
Control variable is a (for level 2 with 2-point controlling, no common control variables)	<ul style="list-style-type: none"> <li>• <u>1 bit object</u></li> <li>• 8 bit object</li> </ul>

#### **PI control with control parameters:**

This setting allows individual input of the parameters for PI control.

Control type	<ul style="list-style-type: none"> <li>• <b>PI control</b></li> </ul>
Setting of the controller by	<ul style="list-style-type: none"> <li>• <b>Controller parameter</b></li> <li>• specified applications</li> </ul>

Specify the deviation from the setpoint value which reaches maximum variable value, i.e. the point at which maximum cooling power is activated.

The reset time shows how quickly the controller responds to deviations from the setpoint value. In case of a short reset time, the control responds with a fast increase of the control variable. In case of a long reset time, the control responds somewhat less



urgently and needs longer until the necessary control variable for the setpoint value deviation is reached. You should set the time appropriate to the cooling system at this point (observe manufacturer's instructions).

Maximum control variable is reached at setpoint/actual difference of (in °C)	1... <u>5</u>
Reset time (in min.)	1...255; <u>30</u>

Now specify what should be sent when the control is blocked.  
On release, the control variable follows the rule again.

When blocked, the control variable shall	<ul style="list-style-type: none"> <li>• <u>not be sent</u></li> <li>• send a specific value</li> </ul>
Value (in %) (if a value is sent)	<u>0</u> ...100

In case of a common control variable for heating and cooling, 0 is always transmitted as a fixed value.

### **PI control with predetermined application:**

This setting provides fixed parameters for a cooling ceiling

Control type	• <b>PI control</b>
Setting of the controller by	<ul style="list-style-type: none"> <li>• Controller parameter</li> <li>• <b>specified applications</b></li> </ul>
Application	• Cooling ceiling
Maximum control variable is reached at setpoint/actual difference of (in °C)	Cooling ceiling: 5
Reset time (in min.)	Cooling ceiling: 30

Now specify what should be sent when the control is blocked.  
On release, the control variable follows the rule again.

When blocked, the control variable shall	<ul style="list-style-type: none"> <li>• not be sent</li> <li>• send a specific value</li> </ul>
Value (in %) (if a value is sent)	<u>0</u> ...100

### **2-point-control (only level 2):**

2-point-control is used for systems which are only set to ON or OFF.

Control type <i>is determined at a higher level for common variables</i>	• <b>2-point-control</b>
---	--------------------------

Enter the hysteresis that prevents frequent on/off switching of temperatures in the threshold range.

Hysteresis (in 0.1°C)	0...100; <u>20</u>
-----------------------	--------------------

If separate control variables are used, select whether the control variable of the 2nd level is a 1 bit object (on/off) or an 8 bit object (on with percentage/off).

Control variable is a	<ul style="list-style-type: none"> <li>• <u>1 bit object</u></li> <li>• 8 bit object</li> </ul>
Value (in %) (for 8 bit object)	0... <u>100</u>

Now specify what should be sent when the control is blocked.  
On release, the control variable follows the rule again.

When blocked, the control variable shall	<ul style="list-style-type: none"> <li>• <u>not be sent</u></li> <li>• send a specific value</li> </ul>
Value (in %) (if a value is sent)	<u>0</u> ...100

In case of a common control variable for heating and cooling, 0 is always transmitted as a fixed value.

## 8.6. Humidity Measurement

**The chapter "Humidity Measurement" only applies to the TH model.**

Select, whether a **malfunction object** is to be sent if the sensor is faulty.

Use malfunction object	<u>No</u> • Yes
------------------------	-----------------

Use **Offsets** to adjust the readings to be sent.

Offset in 0.1% RH	-100...100; <u>0</u>
-------------------	----------------------

The unit can calculate a **mixed value** from its own reading and an external value. Set the mixed value calculation if desired. If an external portion is used, all of the following settings (threshold values, etc.) are related to the overall reading.

Use external measured value	<u>No</u> • Yes
Ext. Reading proportion of the total reading	5% • 10% • ... • <u>50%</u> • ... • 100%
Sending pattern for internal and total measured value	<ul style="list-style-type: none"> <li>• <u>never</u></li> <li>• periodically</li> <li>• on change</li> <li>• on change and periodically</li> </ul>
At and above change of (if sent on change)	0.1% RH • 0.2% RH • 0.5% RH • <u>1.0% RH</u> • ... • 20.0% RH
Send cycle (if sent periodically)	5 s • <u>10 s</u> • ... • 2 h

The **minimum and maximum readings** can be saved and sent to the bus. Use the "Reset humidity min/max. value" objects to reset the values to the current readings. The values are not retained after a reset.

Use minimum and maximum value	<u>No</u> • Yes
-------------------------------	-----------------

## 8.7. Humidity threshold values

**The chapter "Humidity threshold values" only applies to the TH model.**

Activate the required air humidity threshold values. The menus for setting the threshold values are displayed.

Use threshold value 1/2/3/4	Yes • <u>No</u>
-----------------------------	-----------------

### 8.7.1. Threshold value 1, 2, 3, 4

#### Threshold value

Set, in which cases **threshold values and delay times** received via objects are to be retained. The parameter is only taken into consideration if the setting via object is activated below. Please note that the setting "After power supply restoration and programming" should not be used for the initial start-up, as the factory settings are always used until the first communication (setting via objects is ignored).

Maintain the threshold values and delays received via communication objects	<ul style="list-style-type: none"> <li>• <u>never</u></li> <li>• after power supply restoration</li> <li>• after power supply restoration and programming</li> </ul>
---	--

Set the threshold value directly in the application program using parameters, or define them via the bus using a communication object.

#### **Threshold value setting using parameter:**

Set the threshold values and hysteresis directly.

Threshold value setting using	<b>Parameter</b> • Communication objects
Threshold value in 0.1% RH	1 ... 1000; <u>650</u>

#### **Threshold value setting using a communication object:**

Define, how the threshold value is to be received from the bus. Basically, a new value can be received, or simply a command to increase or decrease.

During initial commissioning, a threshold value must be defined, which will be valid until the first communication with a new threshold value. For units which have already been taken into service, the last communicated threshold value can be used. Basically, a humidity range is specified in which the threshold value can be changed (object value limit).

A set threshold value will be retained until a new value or a change is transferred. The current value is saved, so that it is retained in the event of a power supply failure and will be available once the power supply is restored.

Threshold value setting using	Parameter • <b>Communication objects</b>
Starting threshold value in 0.1% RH valid until first communication	1 ... 1000; <u>650</u>
Object value limit (min.) in 0.1%RH	<u>1</u> ... 1000
Object value limit (max.) in 0.1%RH	1... <u>1000</u>
Type of threshold value change	<u>Absolute value</u> • Increase/decrease
Increment (upon increase/decrease change)	0.1% RH • ... • <u>2.0% RH</u> • ... • 20.0% RH

Set the **hysteresis** independent of the type of threshold value specification.

Hysteresis setting	in % • <u>absolute</u>
Hysteresis in 0.1% RH	0...1000; <u>100</u>
Hysteresis in % (relative to the threshold value)	0 ... 50; <u>20</u>

## Switching output

Set the behaviour of the switching output when a threshold value is exceeded/undercut. The output switching delay can be set using objects or directly as a parameter.

When the following conditions apply, the output is (TV = Threshold value)	<ul style="list-style-type: none"> <li>• <u>TV above = 1   TV - hyst. below = 0</u></li> <li>• <u>TV above = 0   TV - hyst. below = 1</u></li> <li>• <u>TV below = 1   TV + hyst. above = 0</u></li> <li>• <u>TV below = 0   TV + hyst. above = 1</u></li> </ul>
Delays can be set via objects (in seconds)	<u>No</u> • Yes
Switching delay from 0 to 1 (If delay can be set via objects: valid until 1st communication)	<u>None</u> • 1 s • 2 s • 5 s • 10 s • ... • 2 h
Switching delay from 1 to 0 (If delay can be set via objects: valid until 1st communication)	<u>None</u> • 1 s • 2 s • 5 s • 10 s • ... • 2 h
Switching output sends	<ul style="list-style-type: none"> <li>• <u>on change</u></li> <li>• on change to 1</li> <li>• on change to 0</li> <li>• on change and periodically</li> <li>• on change to 1 and periodically</li> <li>• on change to 0 and periodically</li> </ul>
Cycle (is only sent if periodically is selected)	<u>5 s</u> • 10 s • 30 s... • 2 h

## Block

The switching output can be blocked using an object.

Use switching output block	<u>No</u> • Yes
----------------------------	-----------------

If the block is activated, define specifications here for the behaviour of the output when blocked.

Analysis of the blocking object	<ul style="list-style-type: none"> <li>• <u>At value 1: block   At value 0: release</u></li> <li>• At value 0: block   At value 1: release</li> </ul>
Blocking object value before first communication	<u>0</u> • 1
Behaviour of the switching output	
On block	<ul style="list-style-type: none"> <li>• <u>Do not send message</u></li> <li>• send 0</li> <li>• send 1</li> </ul>
On release (with 2 seconds release delay)	[Dependent on the "Switching output sends" setting]

The behaviour of the switching output on release is dependent on the value of the parameter "Switching output sends" (see "Switching output")

Switching output sends on change	<ul style="list-style-type: none"> <li>• Do not send message</li> <li>• Send switching output status</li> </ul>
Switching output sends on change to 1	<ul style="list-style-type: none"> <li>• Do not send message</li> <li>• if switching output = 1 → send 1</li> </ul>
Switching output sends on change to 0	<ul style="list-style-type: none"> <li>• Do not send message</li> <li>• if switching output = 0 → send 0</li> </ul>
Switching output sends on change and periodically	Send switching output status
Switching output sends on change to 1 and periodically	if switching output = 1 → send 1
Switching output sends on change to 0 and periodically	if switching output = 0 → send 0

## 8.8. Humidity PI control

**The chapter "Humidity PI control" only applies to the TH model.**

If you activate humidity control, you can use the following settings to define control type, setpoint values, and humidification and dehumidification.

Use humidity control	<u>No</u> • Yes
----------------------	-----------------

### General control

The sensor can be used to control one- or two-level dehumidification or combined humidification/dehumidification.

Type of control	<ul style="list-style-type: none"> <li>• <u>One-level dehumidification</u></li> <li>• <u>Two-level dehumidification</u></li> <li>• <u>Humidification and dehumidification</u></li> </ul>
-----------------	--

Configure a block for the humidity control using the blocking object.

Behaviour of the blocking object with value	<ul style="list-style-type: none"> <li>• <u>1 = Block   0 = release</u></li> <li>• <u>0 = block   1 = release</u></li> </ul>
Blocking object value before first communication	0 • <u>1</u>

Specify when the current control variables are to be sent to the bus. Periodic sending is safer, in case a message does not reach a recipient. You may also set up periodic monitoring using an actuator with this setting.

Send control variable	<ul style="list-style-type: none"> <li>• <u>on change</u></li> <li>• <u>on change and periodically</u></li> </ul>
Send cycle (is only sent if "periodically" is selected)	5 s • <u>10 s</u> • ... • 5 min • ... • 2 h

The status object shows the current status of the output variable (0 = OFF, >0 = ON) and can for example be used for visualisation.

Send status object(s)	<ul style="list-style-type: none"> <li>• <u>on change</u></li> <li>• <u>on change to 1</u></li> <li>• <u>on change to 0</u></li> <li>• <u>on change and periodically</u></li> <li>• <u>on change to 1 and periodically</u></li> <li>• <u>on change to 0 and periodically</u></li> </ul>
Send cycle (is only sent if "periodically" is selected)	5 s • <u>10 s</u> • ... • 5 min • ... • 2 h

## Controller setpoint

Set, in which cases **setpoint values** received via object are to be retained. Please note that the setting "After power supply restoration and programming" should not be used for the initial start-up, as the factory settings are always used until the first communication (setting via objects is ignored).

Maintain the setpoint value received via communication object	<ul style="list-style-type: none"> <li>• <u>never</u></li> <li>• <u>after power supply restoration</u></li> <li>• <u>after power supply restoration and programming</u></li> </ul>
---	--

During initial commissioning, a **setpoint value** must be defined which is valid until the first communication of a new setpoint value. For units which have already been taken into service, the last communicated setpoint value can be used. Basically, an air

humidity range is specified in which the setpoint value can be changed (**object value limit**).

Enter, how the setpoint value will be received from the bus. Basically, a new value can be received, or simply a command to increase or decrease.

A set setpoint value will be retained until a new value or a change is transferred. The current value is saved, so that it is retained in the event of a power supply failure and will be available once the power supply is restored.

Start setpoint in % valid until first communication <i>(not upon saving the setpoint value after programming)</i>	0 ... 100; <u>50</u>
Object value limit (min.) in %	0...100; <u>30</u>
Object value limit (max.) in %	0...100; <u>70</u>
Type of setpoint value change	<u>Absolute value</u> • Increase/decrease
Increment <i>(upon increase/decrease change)</i>	1% • <u>2%</u> • 5% • 10%

In "Humidification and dehumidification" control mode, a dead zone is specified so that a direct changeover switching between humidification and dehumidification can be avoided.

Dead zone between humidification and dehumidification in % <i>(only if both humidification and dehumidification are used)</i>	0...50; <u>10</u>
--	-------------------

Humidification starts, when the relative air humidity is lower or equal to the setpoint value - dead zone value.

## Dehumidification and/or humidification

Depending on the control mode, settings sections for humidification and dehumidification appear (level 1/2).

For dual-level dehumidification, the setpoint value difference between the two levels must be defined, i.e. the setpoint value which, when exceeded, triggers the switch to the 2nd level.

Target value difference between level 1 and 2 in % <i>(for level 2 only)</i>	0...50; <u>10</u>
---	-------------------

Determine the deviation from the setpoint value at which the maximum variable value is reached, i.e. the point at which maximum output is used.

The reset time shows how quickly the controller responds to deviations from the setpoint value. In case of a short reset time, the control responds with a fast increase of the control variable. In case of a long reset time, the control responds somewhat less

urgently and needs longer until the necessary control variable for the setpoint value deviation is reached.

You should set the time appropriate for the humidification/dehumidification system at this point (note manufacturer instructions).

Maximum control variable is reached at target/actual difference of %	1...50; <u>5</u>
Reset time in minutes	1...255; <u>3</u>

Now specify, what should be sent when the control is blocked.

On release, the control variable follows the rule again.

When blocked, the control variable shall	<ul style="list-style-type: none"> <li>• <u>do not transmit anything</u></li> <li>• send a value</li> </ul>
Value in % (if a value is sent)	<u>0</u> ...100

## 8.9. Dewpoint measurement

**The chapter "Dewpoint measurement" only applies to the TH model.**

The sensor calculates the dewpoint temperature and can output the value to the bus.

Sending pattern	<ul style="list-style-type: none"> <li>• <u>never</u></li> <li>• periodically</li> <li>• on change</li> <li>• on change and periodically</li> </ul>
At and above change of (if sent on change)	0.1°C • 0.2°C • <u>0.5°C</u> • 1.0°C • 2.0°C • 5.0°C
Send cycle (if sent periodically)	5 s • <u>10 s</u> • 30 s • 1 min • ... • 2 h

Activate the monitoring of the coolant temperature if required. The menus for setting the monitoring are displayed.

Use monitoring of the coolant temperature	<u>No</u> • Yes
---	-----------------

### 8.9.1. Cooling medium temp. monitoring

A threshold value can be set for the temperature of the coolant, which is based on the current dewpoint temperature (offset/deviation). The switching output of the coolant temperature monitoring system can provide a warning prior to any build-up of condensation in the system, and/or activate appropriate countermeasures.

#### Threshold value

Threshold value = dewpoint temperature + offset

Set, in which cases **offset** received via object is to be retained. Please note that the setting "After power supply restoration and programming" should not be used for the in-



initial start-up, as the factory settings are always used until the first communication (setting via objects is ignored).

Maintain the offset received via communication object	<ul style="list-style-type: none"> <li>• <u>never</u></li> <li>• after power supply restoration</li> <li>• after power supply restoration and programming</li> </ul>
.	

During initial commissioning, an **offset** must be defined which is valid until the first communication of a new offset. For units which have already been taken into service, the last communicated offset can be used.

A set offset will be retained until a new value or a change is transferred. The current value is saved, so that it is retained in the event of a power supply failure and will be available once the power supply is restored.

Start offset in °C valid until first communication	0...200; <u>30</u>
Increment for offset change	<u>0.1°C</u> • 0.2°C • 0.3°C • 0.4°C • 0.5°C • 1°C • 2°C • 3°C • 4°C • 5°C
Hysteresis setting	in % • <u>absolute</u>
Hysteresis of the threshold value in % (for setting in %)	0 ... 50; <u>20</u>
Threshold value hysteresis in 0.1°C increments (at absolute setting)	0 ... 1000; <u>50</u>
Threshold value sends	<ul style="list-style-type: none"> <li>• <u>never</u></li> <li>• periodically</li> <li>• on change</li> <li>• on change and periodically</li> </ul>
At and above change of (if sent on change)	<u>0.1°C</u> • 0.2°C • 0.5°C • 1.0°C • 2.0°C • 5.0°C
Send cycle (if sent periodically)	5 s • <u>10 s</u> • 30 s • 1 min • ... • 2 h

## Switching output

The output switching delay can be set using objects or directly as a parameter.

When the following conditions apply, the output is (TV = Threshold value)	<ul style="list-style-type: none"> <li>• TV above = 1   TV - hyst. below = 0</li> <li>• TV above = 0   TV - hyst. below = 1</li> <li>• <u>TV below = 1</u>   TV + hyst. above = 0</li> <li>• TV below = 0   TV + hyst. above = 1</li> </ul>
Delays can be set via objects (in seconds)	<u>No</u> • Yes
Switching delay from 0 to 1 for setting via objects: valid until 1st communication	<u>None</u> • 1 s • 2 s • 5 s • 10 s • ... • 2 h

Switching delay from 1 to 0 <i>for setting via objects: valid until 1st communication</i>	<u>None</u> • 1 s • 2 s • 5 s • 10 s • ... • 2 h
Switching output sends	<ul style="list-style-type: none"> <li>• <u>on change</u></li> <li>• on change to 1</li> <li>• on change to 0</li> <li>• on change and periodically</li> <li>• on change to 1 and periodically</li> <li>• on change to 0 and periodically</li> </ul>
Send cycle <i>(is only sent if periodically is selected)</i>	<u>5 s</u> • 10 s • 30 s... • 2 h

## Blocking

The switching output can be blocked using an object. Define specifications here for the behaviour of the output when blocked.

Use switching output block	<u>No</u> • Yes
Analysis of the blocking object	<ul style="list-style-type: none"> <li>• <u>At value 1: block</u>   At value 0: release</li> <li>• At value 0: block   At value 1: release</li> </ul>
Blocking object value before first communication	<u>0</u> • 1
Behaviour of the switching output	
On block	<ul style="list-style-type: none"> <li>• <u>Do not send message</u></li> <li>• send 0</li> <li>• send 1</li> </ul>
On release <i>(with 2 seconds release delay)</i>	[Dependent on the "Switching output sends" setting]

The behaviour of the switching output on release is dependent on the value of the parameter "Switching output sends" (see "Switching output")

Switching output sends on change	<ul style="list-style-type: none"> <li>• Do not send message</li> <li>• Send switching output status</li> </ul>
Switching output sends on change to 1	<ul style="list-style-type: none"> <li>• Do not send message</li> <li>• if switching output = 1 → send 1</li> </ul>
Switching output sends on change to 0	<ul style="list-style-type: none"> <li>• Do not send message</li> <li>• if switching output = 0 → send 0</li> </ul>
Switching output sends on change and periodically	Send switching output status
Switching output sends on change to 1 and periodically	if switching output = 1 → send 1
Switching output sends on change to 0 and periodically	if switching output = 0 → send 0

## 8.10. Absolute humidity

**The chapter "Absolute humidity" only applies to the TH model.**

The absolute air humidity value is detected by the sensor and can be output to the bus.

Use measured values	<u>No</u> • Yes
Sending pattern	<ul style="list-style-type: none"> <li>• <u>never</u></li> <li>• periodically</li> <li>• on change</li> <li>• on change and periodically</li> </ul>
At and above change of (if sent on change)	0.1 g • 0.2 g • <u>0.5 g</u> • 1.0 g • 2.0 g • 5.0 g
Send cycle (if sent periodically)	5 s • <u>10 s</u> • 30 s... • 2 h

## 8.11. Comfort field

**The chapter "Comfort field" only applies to the TH model.**

The sensor can send a message to the bus if the limits of the comfort field are exceeded. In this way, it is for example possible to monitor compliance with DIN 1946 (standard values) or even to define your own comfort field.

Use comfort field	<u>No</u> • Yes
-------------------	-----------------

Specify the **sending pattern**, a **Text** for comfortable and uncomfortable and the **Object value**.

Sending pattern	<ul style="list-style-type: none"> <li>• <u>not</u></li> <li>• on change</li> <li>• on change to comfortable</li> <li>• on change to uncomfortable</li> <li>• on change and periodically</li> <li>• on change to comfortable and periodically</li> <li>• on change to uncomfortable and periodically</li> </ul>
Text for comfortable	[Free text max. 14 chars.]
Text for uncomfortable	[Free text max. 14 chars.]
Object value is at	<ul style="list-style-type: none"> <li>• <u>comfortable = 1</u>   <u>uncomfortable = 0</u></li> <li>• comfortable = 0   uncomfortable = 1</li> </ul>
Send cycle (if sent periodically)	<u>5 s</u> • <u>10 s</u> • 30 s... • 2 h

Define the comfort field by specifying the minimum and maximum values for temperature and humidity. The specified standard values comply with DIN 1946

Maximum temperature in °C (Standard 26°C)	25 ... 40; <u>26</u>
Minimum temperature in °C (Standard 20°C)	10 ... 21; <u>20</u>

Maximum relative humidity in % (Standard 65%)	52 ... 90; <u>65</u>
Minimum relative humidity in % (Standard 30%)	10 ... 43; <u>30</u>
Maximum absolute humidity in 0.1 g/kg (Standard 115 g/kg)	50 ... 200; <u>115</u>

Temperature hysteresis: 1°C

Relative humidity hysteresis: 2% RH

Absolute humidity hysteresis: 2 g/kg

## 8.12. Variable comparator

The integrated variable comparators can output maximum, minimum and average values.

Use comparator 1/2	<u>No</u> • Yes
--------------------	-----------------

### 8.12.1. Control variable comparator 1/2

Determine what the control variable comparator should output, and activate the input objects to be used. Transmission patterns and blocks can also be set.

Output delivers	<ul style="list-style-type: none"> <li>• Maximum value</li> <li>• Minimum value</li> <li>• <u>Average value</u></li> </ul>
Use input 1 / 2 / 3 / 4 / 5	No • Yes
Output sends	<ul style="list-style-type: none"> <li>• <u>on change of output</u></li> <li>• on change of output and periodically</li> <li>• when receiving an input object</li> <li>• when receiving an input object and periodically</li> </ul>
Send cycle (if sent periodically)	5 s • 10 s • 30 s • ... • <u>5 min</u> • ... • 2 h
At and above change of (if sent on change)	1% • 2% • 5% • <u>10%</u> • 20% • 25% • 50%
Analysis of the blocking object	<ul style="list-style-type: none"> <li>• <u>at value 1: block   at value 0: release</u></li> <li>• at value 0: block   at value 1: release</li> </ul>
Blocking object value before 1st communication	0 • 1
Behaviour of the switching output	
On block	<ul style="list-style-type: none"> <li>• <u>do not send message</u></li> <li>• Send value</li> </ul>
Sent value in %	0 ... 100
output sends on release (with 2 seconds release delay)	<ul style="list-style-type: none"> <li>• <u>the current value</u></li> <li>• the current value after receipt of an object</li> </ul>

## 8.13. Logic

The device has 16 logic inputs, four AND and four OR logic gates.

Activate the logic inputs and assign object values up to first call.

Use logic inputs	Yes • <u>No</u>
Object value prior to first call for:	
- Logic input 1	<u>0</u> • 1
- Logic input ...	<u>0</u> • 1
- Logic input 16	<u>0</u> • 1

Activate the required logic outputs.

### AND logic

AND logic 1	<u>not active</u> • active
AND logic ...	<u>not active</u> • active
AND logic 4	<u>not active</u> • active

### OR logic

OR logic 1	<u>not active</u> • active
OR logic ...	<u>not active</u> • active
OR logic 4	<u>not active</u> • active

### 8.13.1. AND logic 1-4 and OR logic outputs 1-4

The same setting options are available for AND and OR logic.

Each logic output may transmit one 1 bit or two 8 bit objects. Determine what the output should send if logic = 1 and = 0.

1. / 2. / 3. / 4. Input	<ul style="list-style-type: none"> <li>• <u>do not use</u></li> <li>- Logic inputs 1...16</li> <li>- Logic inputs 1...16 inverted</li> <li>• all switching events that the device provides (see <i>Connection inputs of the AND/OR logic</i>)</li> </ul>
Output type	<ul style="list-style-type: none"> <li>• a <u>1-Bit-object</u></li> <li>• two 8-bit objects</li> </ul>

If the **output type is a 1-bit object**, set the output values for the various conditions.

Output value if logic = 1	<u>1</u> • 0
Output value if logic = 0	1 • <u>0</u>

Output value If block is active	1 • <u>0</u>
Output value if monitoring period is exceeded	1 • <u>0</u>

If the **output type is two 8-bit objects**, set the type of object and the output values for the various conditions.

Object type	<ul style="list-style-type: none"> <li>• <u>Value (0...255)</u></li> <li>• <u>Percent (0...100%)</u></li> <li>• <u>Angle (0...360°)</u></li> <li>• <u>Scene call-up (0...63)</u></li> </ul>
Output value object A if logic = 1	0 ... 255 / 100% / 360° / 63; <u>1</u>
Output value object B if logic = 1	0 ... 255 / 100% / 360° / 63; <u>1</u>
Output value object A if logic = 0	0 ... 255 / 100% / 360° / 63; <u>0</u>
Output value object B if logic = 0	0 ... 255 / 100% / 360° / 63; <u>0</u>
Output value object A if block is active	0 ... 255 / 100% / 360° / 63; <u>0</u>
Output value object B if block is active	0 ... 255 / 100% / 360° / 63; <u>0</u>
Output value object A if monitoring period is exceeded	0 ... 255 / 100% / 360° / 63; <u>0</u>
Output value object B if monitoring period is exceeded	0 ... 255 / 100% / 360° / 63; <u>0</u>

Set the output send pattern.

Send pattern	<ul style="list-style-type: none"> <li>• <u>on change of logic</u></li> <li>• <u>on change of logic to 1</u></li> <li>• <u>on change of logic to 0</u></li> <li>• <u>on change of logic and periodically</u></li> <li>• <u>on change of logic to 1 and periodically</u></li> <li>• <u>on change of logic to 0 and periodically</u></li> <li>• <u>on change of logic+object receipt</u></li> <li>• <u>on change of logic+object receipt and periodically</u></li> </ul>
Send cycle (if sent periodically)	5 s • <u>10 s</u> • ... • 2 h

## Block

If necessary, activate the block for the logic output and set what a 1 or 0 at the block input means and what happens in the event of a block.

Use block	<u>No</u> • Yes
Analysis of the blocking object	<ul style="list-style-type: none"> <li>• <u>At value 1: block</u>   <u>At value 0: release</u></li> <li>• <u>At value 0: block</u>   <u>At value 1: release</u></li> </ul>
Blocking object value before first call	<u>0</u> • 1
Output pattern On block	<ul style="list-style-type: none"> <li>• <u>Do not send message</u></li> <li>• <u>Transmit block value</u> [see above, Output value if blocking active]</li> </ul>
On release (with 2 seconds release delay)	[send value for current logic status]

## Monitoring

If necessary, activate the input monitoring. Set which inputs are to be monitored, at which intervals the inputs are to be monitored and what value the "monitoring status" should have, if the monitoring period is exceeded without a feedback being given.

Use input monitoring	<u>No</u> • Yes
Input monitoring	<ul style="list-style-type: none"> <li>• 1 • 2 • 3 • 4</li> <li>• 1 + 2 • 1 + 3 • 1 + 4 • 2 + 3 • 2 + 4 • 3 + 4</li> <li>• 1 + 2 + 3 • 1 + 2 + 4 • 1 + 3 + 4 • 2 + 3 + 4</li> <li>• <u>1 + 2 + 3 + 4</u></li> </ul>
Monitoring period	5 s • ... • 2 h; <u>1 min</u>
Output behaviour on exceeding the monitoring time	<ul style="list-style-type: none"> <li>• <u>Do not send message</u></li> <li>• <u>Send value exceeding</u> [= value of the parameter "monitoring period"]</li> </ul>

## 8.14. AND logic connection inputs

Do not use

Logic input 1

Logic input 1 inverted

Logic input 2

Logic input 2 inverted

Logic input 3

Logic input 3 inverted

Logic input 4

Logic input 4 inverted

Logic input 5

Logic input 5 inverted

Logic input 6

Logic input 6 inverted

Logic input 7

Logic input 7 inverted  
Logic input 8  
Logic input 8 inverted  
Logic input 9  
Logic input 9 inverted  
Logic input 10  
Logic input 10 inverted  
Logic input 11  
Logic input 11 inverted  
Logic input 12  
Logic input 12 inverted  
Logic input 13  
Logic input 13 inverted  
Logic input 14  
Logic input 14 inverted  
Logic input 15  
Logic input 15 inverted  
Logic input 16  
Logic input 16 inverted  
Temperature sensor malfunction ON  
Temperature sensor malfunction OFF  
Switching output 1 Temperature  
Switching output 1 Temperature inverted  
Switching output 2 Temperature  
Switching output 2 Temperature inverted  
Switching output 3 Temperature  
Switching output 3 Temperature inverted  
Switching output 4 Temperature  
Switching output 4 Temperature inverted  
Comfort temperature controller active  
Comfort temperature controller inactive  
Standby temperature controller active  
Standby temperature controller inactive  
Eco temperature controller active  
Eco temperature controller inactive  
Frost protection temperature controller active  
Frost protection temperature controller inactive  
Heating 1 temperature controller active  
Heating 1 temperature controller inactive  
Heating 2 temperature controller active  
Heating 2 temperature controller inactive  
Cooling 1 temperature controller active  
Cooling 1 temperature controller inactive  
Cooling 2 temperature controller active  
Cooling 2 temperature controller inactive

**Only for model Mini-Sewi KNX TH:**

Humidity sensor malfunction ON



Humidity sensor malfunction OFF  
Switching output 1 Humidity  
Switching output 1 Humidity inverted  
Switching output 2 Humidity  
Switching output 2 Humidity inverted  
Switching output 3 Humidity  
Switching output 3 Humidity inverted  
Switching output 4 Humidity  
Switching output 4 Humidity inverted  
Switching output coolant temperature  
Switching output coolant temperature inverted  
Ambient climate is comfortable  
Ambient climate is uncomfortable  
Humidity controller dehumidification 1 active  
Humidity controller dehumidification 1 inactive  
Humidity controller dehumidification 2 active  
Humidity controller dehumidification 2 inactive  
Humidity controller humidification active  
Humidity controller humidification 1 inactive

### **8.14.1. Connection inputs of the OR logic**

---

The OR logic connection inputs correspond to those of the AND logic. In addition, the following inputs are available for the OR logic:

Switching output AND logic 1  
Switching output AND logic 1 inverted  
Switching output AND logic 2  
Switching output AND logic 2 inverted  
Switching output AND logic 3  
Switching output AND logic 3 inverted  
Switching output AND logic 4  
Switching output AND logic 4 inverted



**Elsner Elektronik GmbH** Control and Automation Engineering

Sohlengrund 16  
75395 Ostelsheim  
Germany

Phone +49 (0) 70 33 / 30 945-0 [info@elsner-elektronik.de](mailto:info@elsner-elektronik.de)  
Fax +49 (0) 70 33 / 30 945-20 [www.elsner-elektronik.de](http://www.elsner-elektronik.de)

---

*Technical support: +49 (0) 70 33 / 30 945-250*